

Masport[®] Heating

FREESTANDING WOOD FIRES

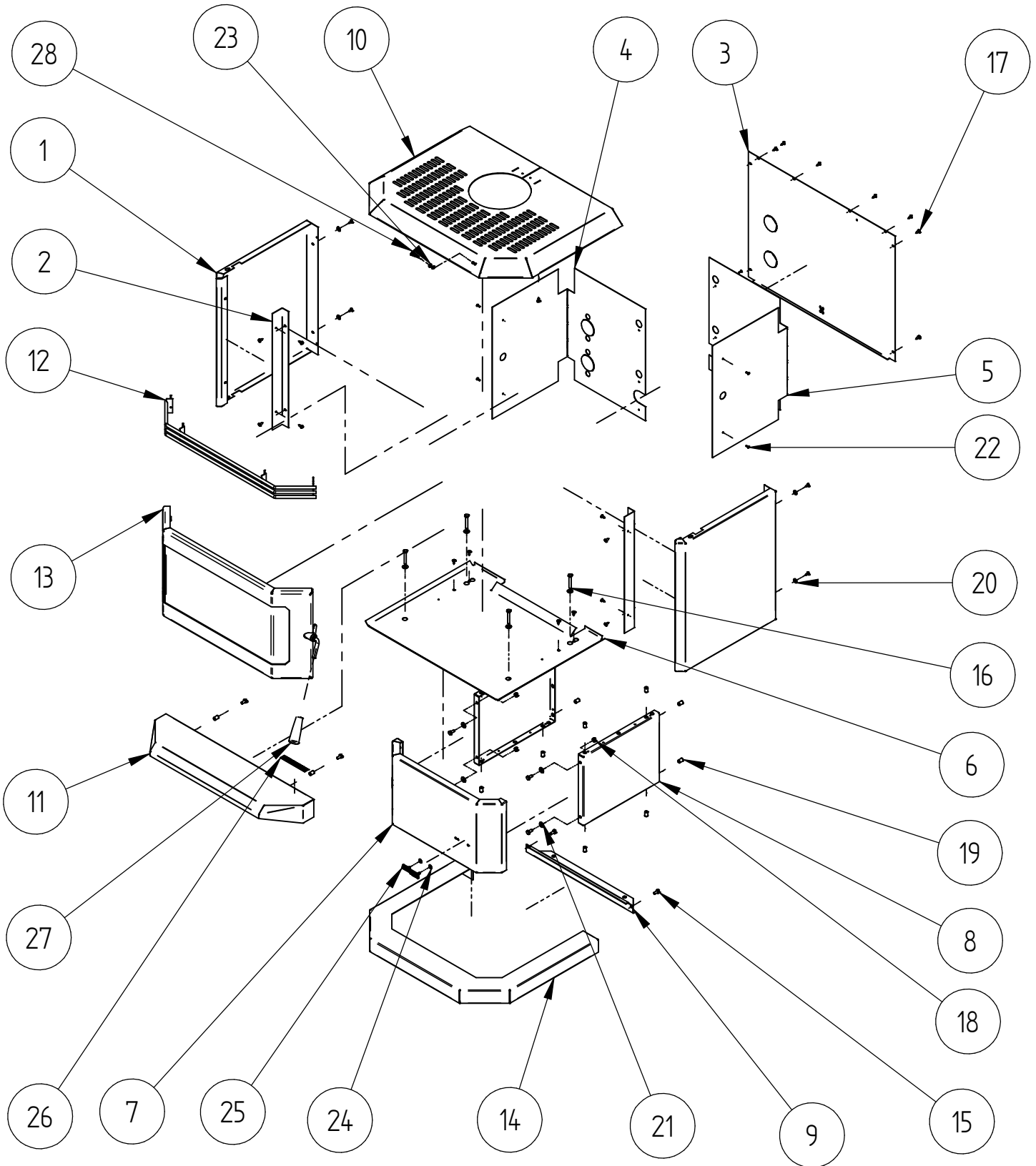
HESTIA 2 CLEAN AIR NEW ZEALAND

Item No.	MARKET	FUEL TYPE	FINISHING	YEAR	FAN
HCABK*	NZ	SOFTWOOD	Matte Black Enamel	JAN-2008	RURAL ONLY
992909				SEP-2010	
992922				JUN-2013	NO

*LOGAIRE BRAND



PANELS, DOOR AND PEDESTAL (Pre-2013)

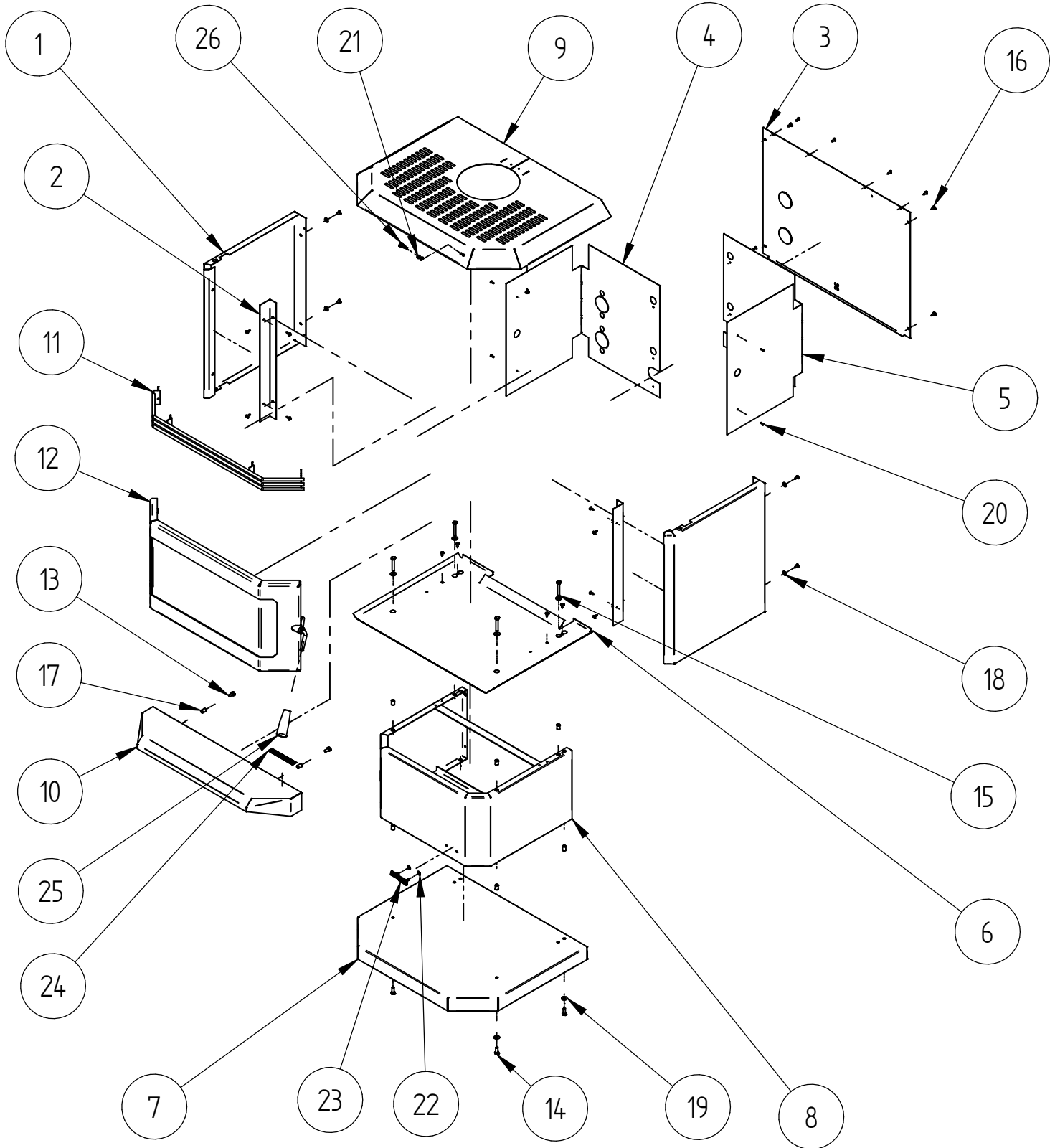


When ordering PLEASE QUOTE PART ID, MODEL Number & DESCRIPTIONS, NOT ITEM Number
determining left hand side from viewing position

PANELS, DOOR AND PEDESTAL (Pre-2013)					
Item	Part ID	Model(s)		Description	Qty
		HCABK	992909		
1	HBA00006	E01	E01	HBA SIDE PANEL	2
2	ATN00009	V02	V02	ATN SIDE PANEL ANGLE	2
3	HBA00012	-	-	HBA REAR HEAT SHILED	1
4	HBA00039	-	-	HBA INNER HEAT SHIELD	1
5	HBA00040	-	-	HBA R/H INNER HEAT SHIELD	1
6	HBA00176	-	-	HBA BASE HEAT SHIELD	1
7	ATN00177	E01	E01	ATN PEDESTAL FRONT	1
8	ATN00178	E01	E01	ATN PEDESTAL SIDES	2
9	HBA00179	P02	P02	HBA PEDESTAL STIFFENER	1
10	HBAAC001	E01	E01	HBA TOP PANEL COMPLETE	1
11	HBAAC011	E01	E01	HBA ASH SHELF ASSEMBLY	1
12	HBAAC017	-	-	HBA LOUVRE ASSEMBLY	1
13	HBAAC730	E01	E01	HBA FINISHED DOOR ASSEMBLY	1
14	HBA00025	E01	E01	HBA PEDESTAL BASE	1
15	521075	-	-	SCREW; M6X12 HEX ZP	8
16	521077	-	-	SCREW; M6X40 HEX ZP	4
17	521645	-	-	SCREW; S/T 8GX1/2" MUSH FLANGE POZI BLK	26
18	522117	-	-	NUT; HEX STD M6 ZP	4
19	522611	-	-	NUT; RIVNUT THN/SHT M6X13.5	14
20	523004	-	-	WASHER; FLAT 1/4"X1/2"X1/16" FIBRE	4
21	523036	-	-	WASHER; FLAT 1/4"X5/8" BLK	8
22	524002	-	-	RIVET; 73 AS 4-3	7
23	526008	-	-	CLIP; STARLOCK M3	2
24	526009	-	-	CLIP; STARLOCK M4	2
25	587835	-	-	BADGE MASPORT HEATING	1
26	595695	-	-	DECAL "BURN ONLY" COMBINED NZ/AUS	1
27	MIC00376	-	-	MIC DOOR HANDLE	1
28	MIC00744	-	-	MIC HILO BADGE	1

When ordering PLEASE QUOTE PART ID, MODEL Number & DESCRIPTIONS, NOT ITEM Number
determining left hand side from viewing position

PANELS, DOOR AND PEDESTAL (2013 Onwards)

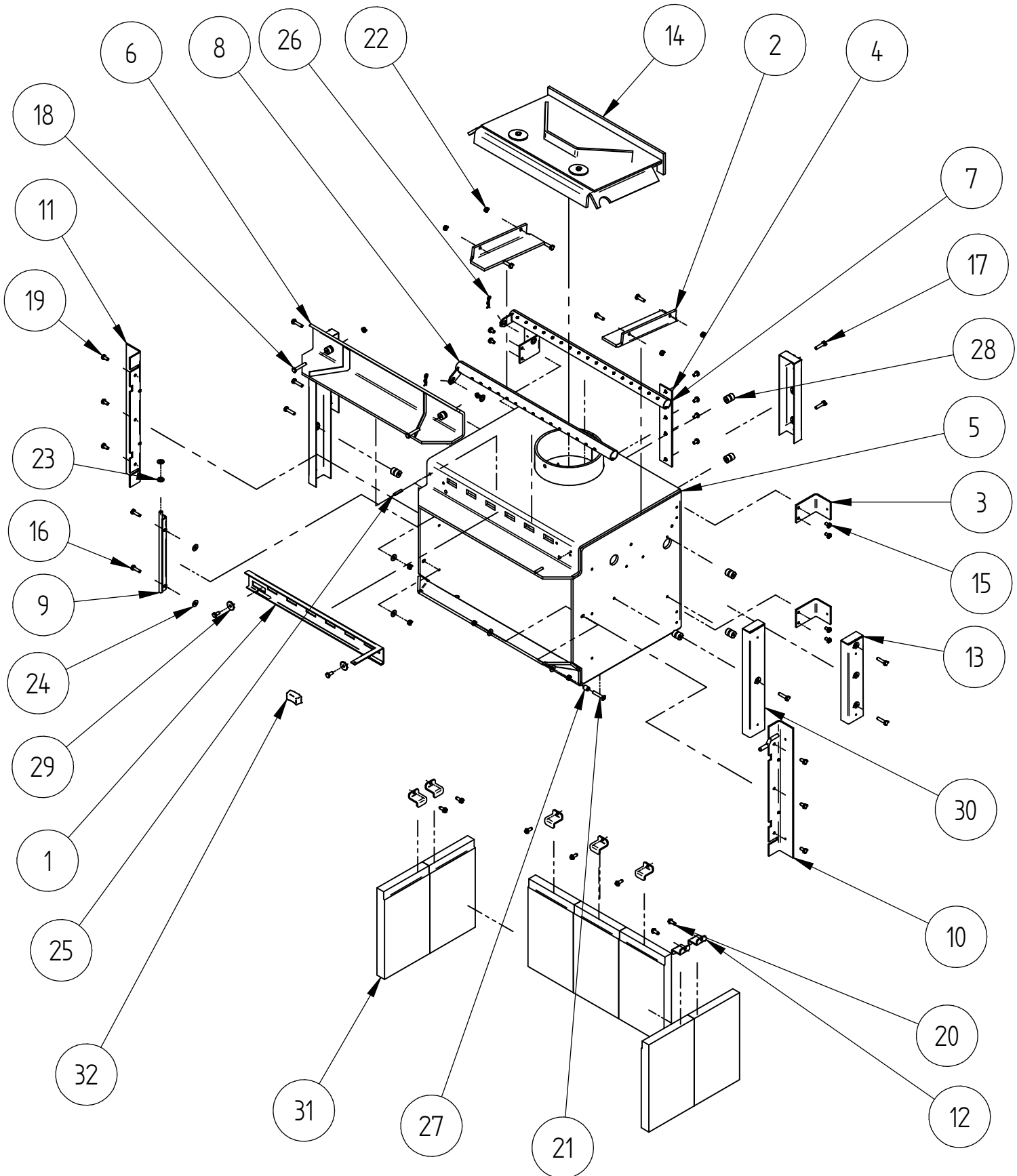


When ordering PLEASE QUOTE PART ID, MODEL Number & DESCRIPTIONS, NOT ITEM Number
determining left hand side from viewing position

PANELS, DOOR AND PEDESTAL (2013 Onwards)				
Item	Part ID	Model(s)	Description	Qty
		992922		
1	HBA00006	E01	HBA SIDE PANEL	2
2	ATN00009	V02	ATN SIDE PANEL ANGLE	2
3	HBA00012	-	HBA REAR HEAT SHILED	1
4	HBA00039	-	HBA INNER HEAT SHIELD	1
5	HBA00040	-	HBA R/H INNER HEAT SHIELD	1
6	HBA00176	-	HBA BASE HEAT SHIELD	1
7	ATN00174	P02	ATN PEDESTAL BASE	1
8	ATNAC175	P02	ATN PEDESTAL ASSEMBLY	1
9	HBAAC001	E01	HBA TOP PANEL COMPLETE	1
10	HBAAC011	E01	HBA ASH SHELF ASSEMBLY	1
11	HBAAC017	-	HBA LOUVRE ASSEMBLY	1
12	HBAAC730	E01	HBA FINISHED DOOR ASSEMBLY	1
13	521075	-	SCREW; M6X12 HEX ZP	2
14	521076	-	SCREW; M6X16 HEX ZP	4
15	521077	-	SCREW; M6X40 HEX ZP	4
16	521645	-	SCREW; S/T 8GX1/2" MUSH FLANGE POZI BLK	26
17	522611	-	NUT; RIVNUT THN/SHT M6X13.5	10
18	523004	-	WASHER; FLAT 1/4"X1/2"X1/16" FIBRE	4
19	523036	-	WASHER; FLAT 1/4"X5/8" BLK	8
20	524002	-	RIVET; 73 AS 4-3	7
21	526008	-	CLIP; STARLOCK M3	2
22	526009	-	CLIP; STARLOCK M4	2
23	587835	-	BADGE MASPORT HEATING	1
24	595695	-	DECAL "BURN ONLY" COMBINED NZ/AUS	1
25	MIC00376	-	MIC DOOR HANDLE	1
26	MIC00744	-	MIC HILO BADGE	1

When ordering PLEASE QUOTE PART ID, MODEL Number & DESCRIPTIONS, NOT ITEM Number
determining left hand side from viewing position

AIRSLIDE, BAFFLE, BRICKS AND FIREBOX

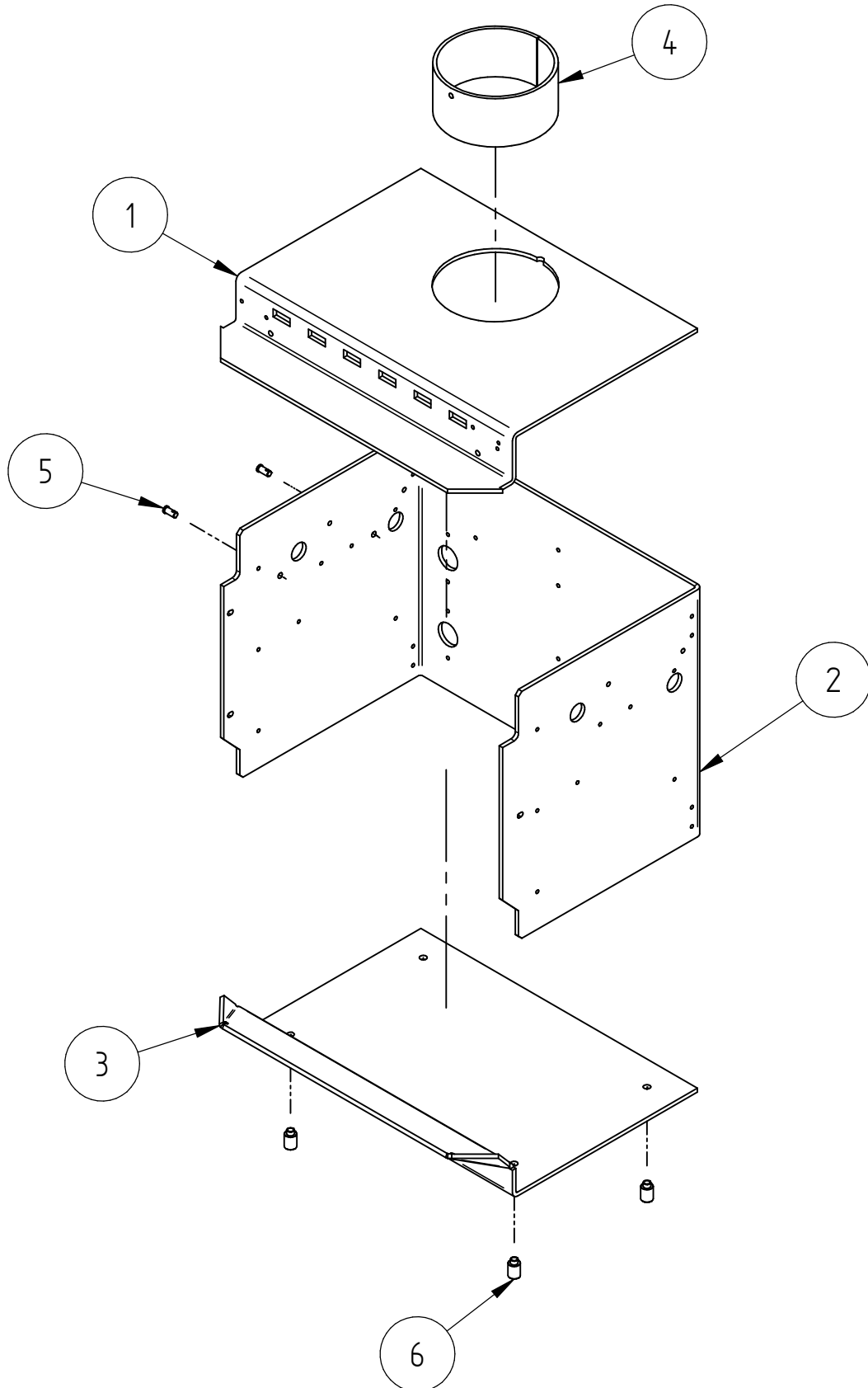


When ordering PLEASE QUOTE PART ID, MODEL Number & DESCRIPTIONS, NOT ITEM Number
determining left hand side from viewing position

AIRSLIDE, BAFFLE, BRICKS AND FIREBOX						
Item	Part ID	Model(s)			Description	Qty
		HCABK	992909	992922		
1	ATN00036	-	-	-	ATN AIR SLIDE	1
2	HBA00116	-	-	-	HBA BAFFLE SUPPORT	2
3	ATN00130	-	-	-	ATN BODY MOUNT BRACKET	4
4	AIB00135	-	-	-	AIB WATER BOOSTER COVER PLATE	1
5	HCAAC004	-	-	-	HCA FIRE BOX ASSY	1
6	HBAAC102	-	-	-	HBA AIR DEFLECTOR COMPLETE	1
7	HCA00136	-	-	-	HCA REAR AIR BAR ASSEMBLY	1
8	HBA00138	-	-	-	HBA FRONT AIR BAR ASSEMBLY	1
9	ATNAC190	-	-	-	ATN HINGE PLATE ASSEMBLY	1
10	ATNAC183	-	-	-	ATN STIFFENER & GUIDE SUB	1
11	ATN00183	-	-	-	ATN DOOR RIDDLE STIFFENER	1
12	HBA00118	-	-	-	HBA BRICK RETAINER	7
13	HCA00164	-	-	-	HCA SEC AIR CHANNEL	3
14	992081	-	-	-	BAFFLE ASS COMPL HESTIA C	1
15	521046	-	-	-	SCREW; M6X10 PAN POZI ZP	12
16	521054	-	-	-	SCREW; M6X20 HEX ZP	6
17	521058	-	-	-	SCREW; M6X25 HEX ZP	8
18	521060	-	-	-	SCREW; M6X35 HEX ZP	2
19	521075	-	-	-	SCREW; M6X12 HEX ZP	8
20	521632	-	-	-	SCREW; S/T M6X15 HEX FLANGE NIC TAPTITE	7
21	521814	-	-	-	SCREW; CAP M6X35 CSK ALLEN BLK	1
22	522117	-	-	-	NUT; HEX STD M6 ZP	10
23	523018	-	-	-	WASHER; FLAT 5/16"X5/8" BLK	4
24	523036	-	-	-	WASHER; FLAT 1/4"X5/8" BLK	6
25	525003	-	-	-	PIN; TENSION 5X24 BLK	2
26	526101	-	-	-	CLIP; R-CLIP 1.8 DIA ST	2
27	ATN00079	-	-	-	ATN DOOR CATCH PIN	1
28	HBA00129	-	-	-	HBA AIR DEFLECTOR SPACER	8
29	MIC00083	-	-	-	LOGAIRE METRO AIR SLIDE SPACER	2
30	MIC00123	-	-	-	MIC SEC AIR CHANNEL	2
31	MIC00354	-	-	-	MIC BRICK	7
32	MIC00375	-	-	-	MIC AIR SLIDE HANDLE	1

When ordering PLEASE QUOTE PART ID, MODEL Number & DESCRIPTIONS, NOT ITEM Number
determining left hand side from viewing position

FIREBOX DETAILS

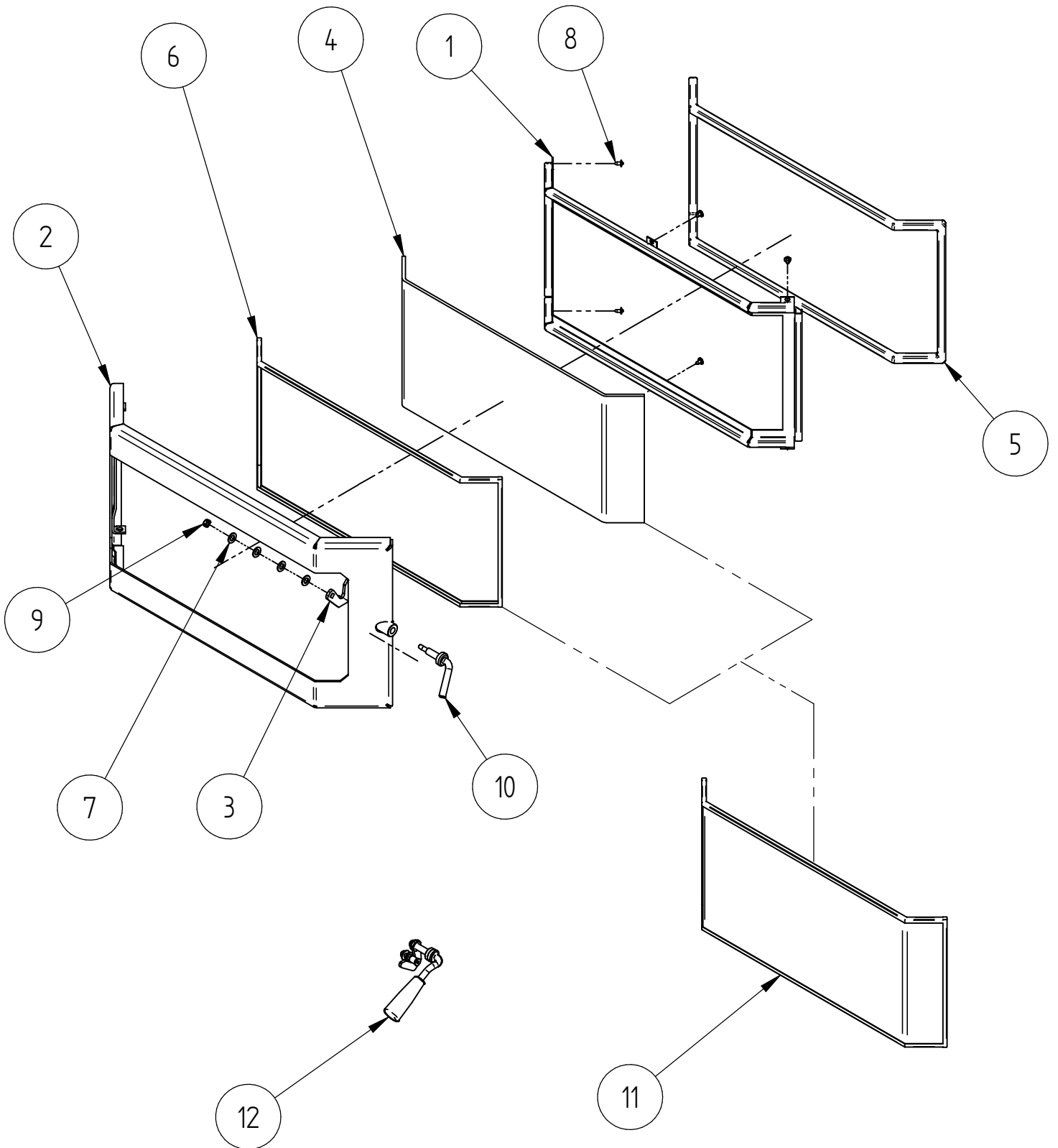


When ordering PLEASE QUOTE PART ID, MODEL Number & DESCRIPTIONS, NOT ITEM Number
determining left hand side from viewing position

FIRE BOX						
Item	Part ID	Model(s)			Description	Qty
		HCABK	992909	992922		
1	HBA00103	-	-	-	HBA FIREBOX TOP	1
2	HCA00106	-	-	-	HESTIA CLEAN AIR FIREBOX WRAP	1
3	HBA00107	-	-	-	HBA FIRE BOX BASE	1
4	PFS00120	-	-	-	PFS SPIGOT	1
5	MIC00137	-	-	-	MIC AIRBAR PIN	2
6	MET00429	-	-	-	FIREBOX BUSH - SPIGOTED	4

When ordering PLEASE QUOTE PART ID, MODEL Number & DESCRIPTIONS, NOT ITEM Number
determining left hand side from viewing position

DOOR ASSEMBLY



When ordering PLEASE QUOTE PART ID, MODEL Number & DESCRIPTIONS, NOT ITEM Number
determining left hand side from viewing position

DOOR ASSEMBLY						
Item	Part ID	Model(s)			Description	Qty
		HCABK	992909	992922		
		HBAAC730E01				
1	ATN00034	-	-	-	ATN GLASS RETAINER	1
2	HBAAC030	E01	E01	E01	HBA DOOR FRAME COMPLETE	1
3	ATN00133	-	-	-	ATN DOOR LATCH PLATE	1
4	ATN00204	-	-	-	ATN GLASS	1
5	£16MMDR	-	-	-	DOOR ROPE 16MM X 50m ROLL (MTR)	1
6	£25MMLT	-	-	-	LADDER TAPE 25x3x50m ROLL (MTR)	1
7	523018	-	-	-	WASHER; FLAT 5/16"X5/8" BLK	5
8	521627	-	-	-	SCREW; S/T 8GX3/8" MUSH FLANGE POZI BLK	6
9	522117	-	-	-	NUT; HEX STD M6 ZP	1
10	MIC00373	-	-	-	DOOR SPINDLE	1
11*	ATN99204	-	-	-	ATN 1999 GLASS/TAPE	1
12*	ATNACDH	-	-	-	ATN DOOR HANDLE ASSEMBLY KIT	1

*Optional Sale Kit

NOT ILLUSTRATED						
Item	Part ID	Model(s)			Description	Qty
		HCABK	992909	992922		
1	593286	-	-	-	OWNER MANUAL WOODFIRES 2010	1
2	593287	-	-	-	INSTALL MANUAL WOODFIRES 2010	1
3	HCABRICK	-	-	-	HESTIA BRICK LAYOUT	1
4	HCAM0738	-	-	-	HCA 2 & HCAHW INSTALLATION DATA SHEET MASPORT	1

SURFACE FINISH CODES FOR PANELS						
VITREOUS ENAMEL		VHT PAINT(Very High Temp)			POWDER COAT	
E01	MATT BLACK	V02	P-000022	METALLIC BLACK	P02	MATT BLACK
E02	GLOSS BLACK	V03	P-000043	CHARCOAL	P03	CHARCOAL
E03	CHARCOAL	V04	P-000081	TITANIUM	P05	SATIN BLACK
		V05	P-000051	CHARCOAL (DAM MET BLK)	P09	METTALIC BLACK
		V06	P-000052	METALLIC BLACK ZINC		
LESS FREQUENTLY OR OLD SURFACE FINISH CODES FOR PANELS						
VITREOUS ENAMEL		VHT PAINT(Very High Temp)			POWDER COAT	
E04	JASMINE	V01		SATIN BLACK HIGH TEMP	P01	BLUE/BLACK
					P04	GLOSS CHARCOAL
					P07	FLAT BLACK

When ordering PLEASE QUOTE PART ID, MODEL Number & DESCRIPTIONS, NOT ITEM Number
determining left hand side from viewing position